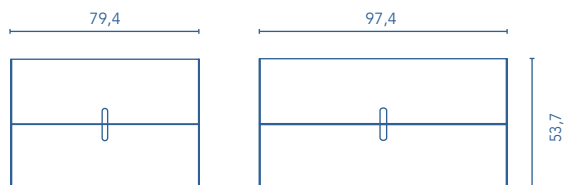


FURNITURE AND AUXILIARIES

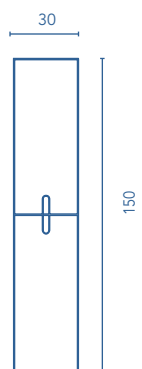
UNITS

Depth 49-52 / Curved furniture



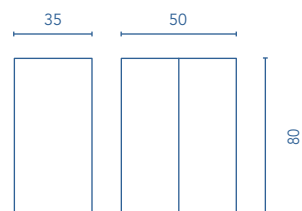
COLUMN

Depth 24



WALL UNIT

Depth 15



FINISHES



WHITE

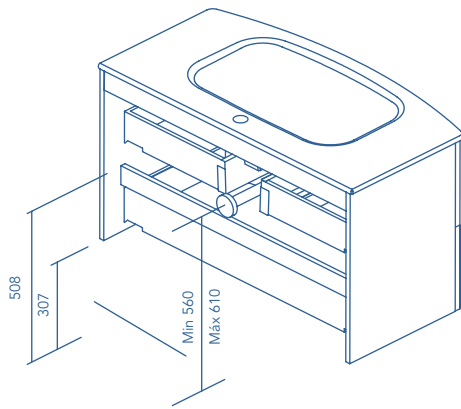


ANTHRACITE

* Measures in cm.

Rear plumbing 7 cm.

2 Drawers



| SIDE PANELS | FRONTS | DRAWERS | | | | HANDLE | SIDE PANEL FINISHES | FRONT FINISHES | RANGE WIDERING | | |
|---------------------|--------------|--------------------------------|-----------------------------|---------------------|---------------|-----------------|---------------------|------------------------|----------------|--------|-----------------|
| | | Partially extraction Indaux | Grey textile interior | Drawer organizer | Soft close | | | | D-49/52 | Curved | Wall hanging |
| Fibreboard 16 mm | MDF 18 mm | | | | | Metal handle | Flat lacquering | Special lacquer finish | | | |

Dimensions indicated in the drawing are based on the level of the whole leg, in case of wall hanging the furniture dimensions also may vary. The measures of these schemes are represented in mm.