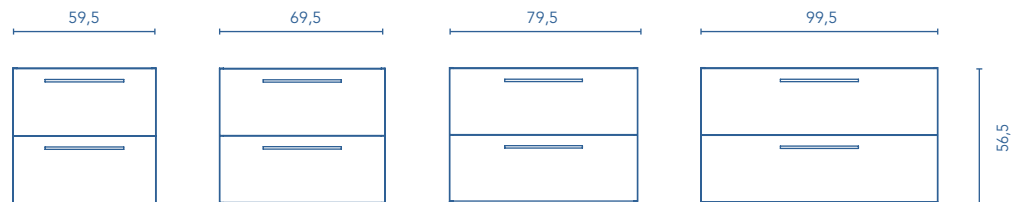


FURNITURE AND AUXILIARIES

UNITS

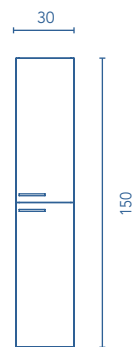
Depth 46



The 120 measurements are based on the 60 modules.

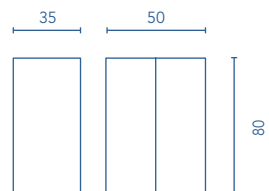
COLUMN

Depth 25



WALL UNITS

Depth 15



FINISHES



SANDY WALNUT



SANDY WENGE



WHITE

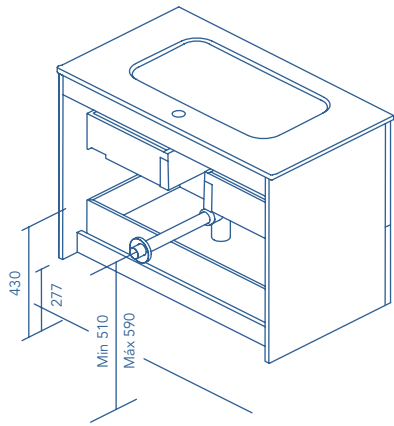


ANTHRACITE

\* Measures in cm.

Rear plumbing 7 cm.

2 Drawers



SIDE PANELS	FRONTS	DRAWERS			HANDLE	FINISHES	SIDE PANEL FINISHES		FRONT FINISHES	RANGE WIDERING	
		Partially extraction Indaux	Grey interior	Soft close			Flat lacquering	Raw finish		Flat lacquering	F-46
Fibreboard 16 mm	Fibreboard 16 mm				Metal handle	Melamine	Flat lacquering	Raw finish	Flat lacquering	F-46	Wall hanging

Dimensions indicated in the drawing are based on the level of the whole leg, in case of wall hanging the furniture dimensions also may vary. The measures of these schemes are represented in mm.